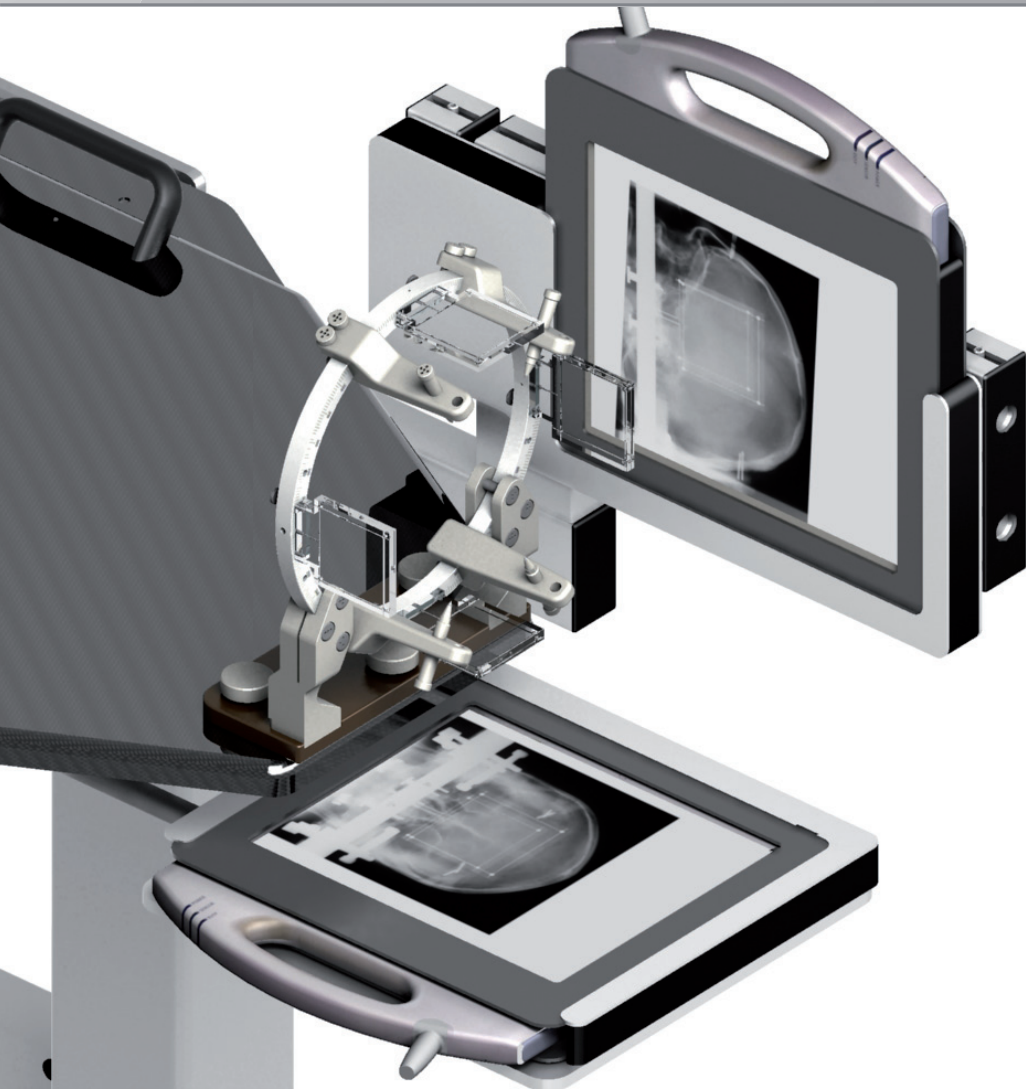


RIXIS

Remote-controlled Intraoperative
X-ray Imaging System

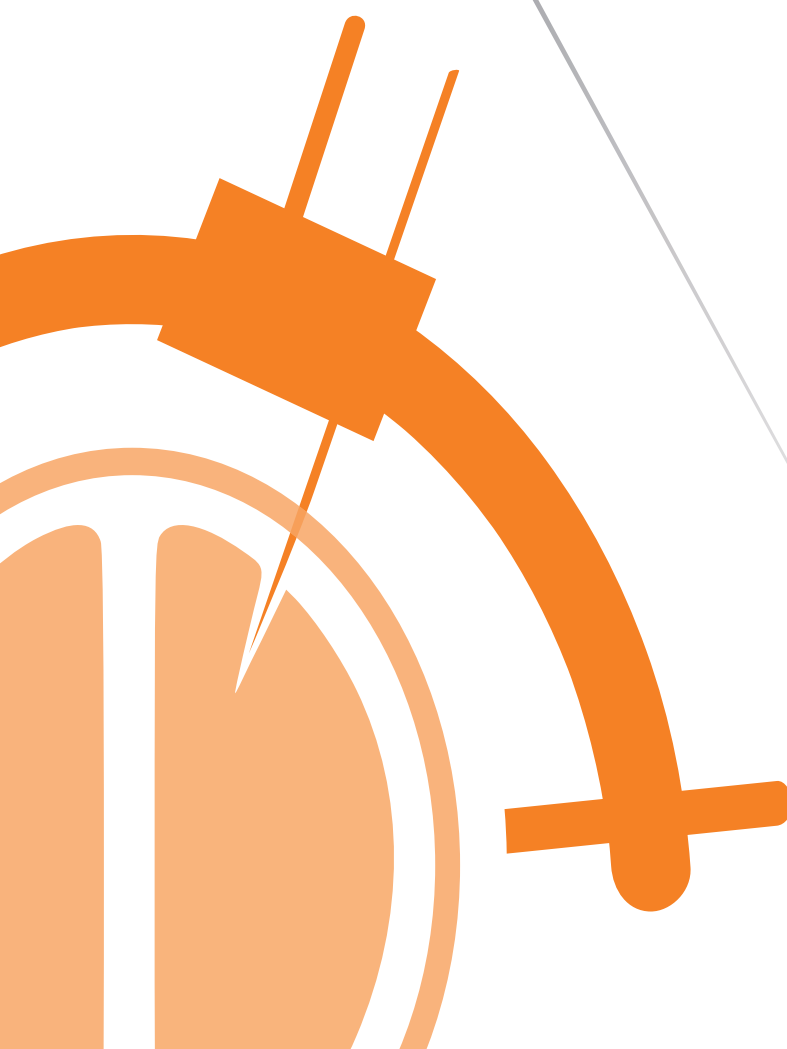


Introducing the first real-time orthogonal low dose
imaging system for intraoperative verification

Verified **precision** -
with every move
you make.

Precisis^{AG}
Stereotaxy / Radiosurgery

Premium.
Customised.
Precision.



INFORMATION

RIXIS is a **fully digital** and remote-controlled orthogonal X-ray imaging system specifically designed for the support of **stereotactic** procedures.

Latest flat panel technology combined with X-ray techniques enables RIXIS to provide **real time intraoperative** imaging with **minimal** radiation **exposure**.

Two movable X-ray sources produce lateral and frontal images for **instant** surgery verification.

The high speed imaging provides **video-like** tracking of the intervention.

Immediate display of **digital images** in the OR as well as on the planning stations allows for localisation, comparison, verification and plan adjustment.

Please note: RIXIS is a highly customisable product, please contact us for more information.

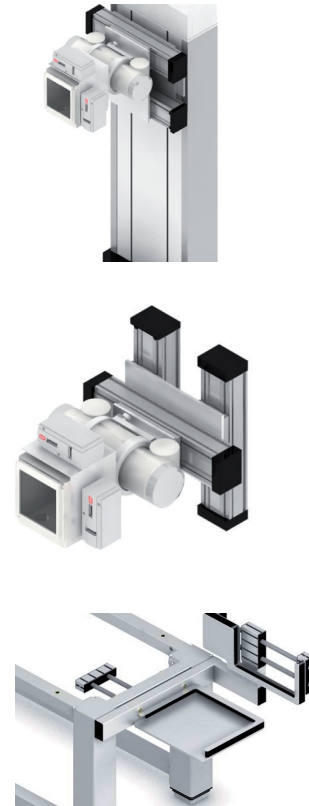
KEY FEATURES

Using latest X-Ray imaging technology

No referencing required ¹

4 degrees of freedom

Fully digital flat panel detectors allow for real time intraoperative imaging



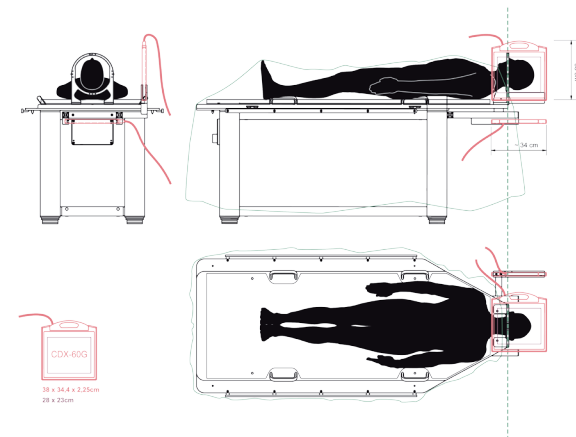
KEY FEATURES

High speed for video like intervention tracking

Optimised for intraoperative verification ²

Programmable

Also usable with step & shoot



¹ when used in combination with Precisis Couch & Transport System

² with 3D Stereotactic Planning Software Praezis Plus

Set:

SP-0502: RIXIS, Remote-controlled intraoperative X-ray imaging system, individual solution

Accessories:

SP-0103 Table Mount, X-Ray cassette

SP-0103-D Table Mount, Flat-Panel

SP-0103-NK Mount, dynamic and static Flat-Panel, individual solution

Combine RIXIS with the Precisis Couch & Transport System and the 3D stereotactic planning software Praezis Plus for a fully integrated stereotactic treatment room.

Contact us, we will find the optimal solution adjusted to your needs.

Recommended Systems for optimal treatment:

SP-0101 Base frame OR, Couch & Transport System

SP-0102 Transport couch, Couch & Transport System

PP-20100 Praezis Plus, 3D stereotactic planning software

